

# TIMBERRY KURVE COMMODE CHAIR

Part No: 55500, 56551, 56552, 56553, 56554, 56555, 56556, 56557, 56558, 56559, 56560

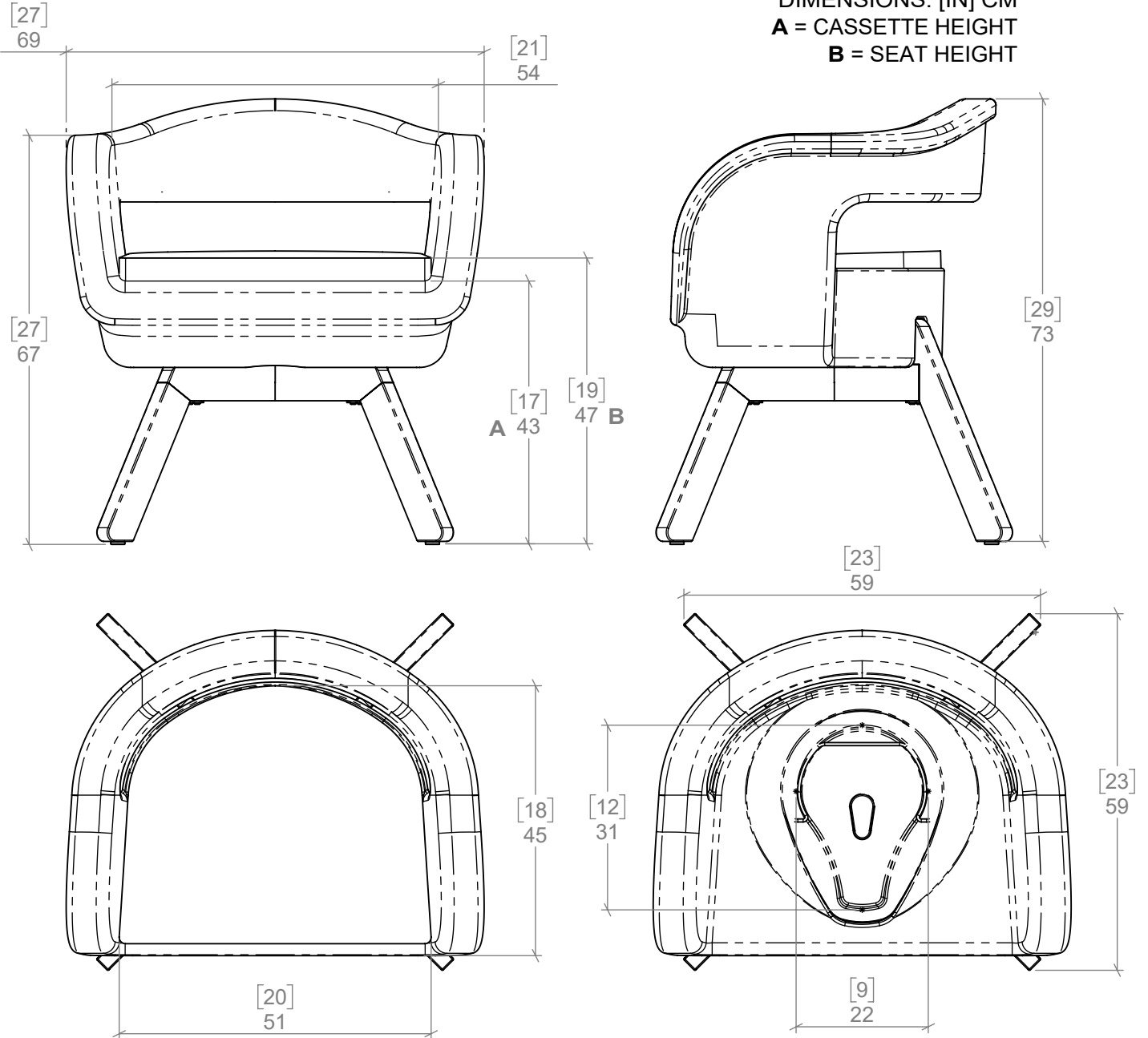


GORDON  
**ELLIS**  
& CO

## PRODUCT DRAWING



DIMENSIONS: [IN] CM  
A = CASSETTE HEIGHT  
B = SEAT HEIGHT



## TECHNICAL SPECIFICATIONS

**MAX** 190 kg  
420 lbs

**MATERIAL(S):** MDPE, BEECH

**CONSULT INSTRUCTIONS FOR USE**

Gordon Ellis & Co. Trent Lane, Castle Donington, Derby. DE74 2AT. England

View our entire range online at: [GordonEllisHealthcare.co.uk](http://GordonEllisHealthcare.co.uk)